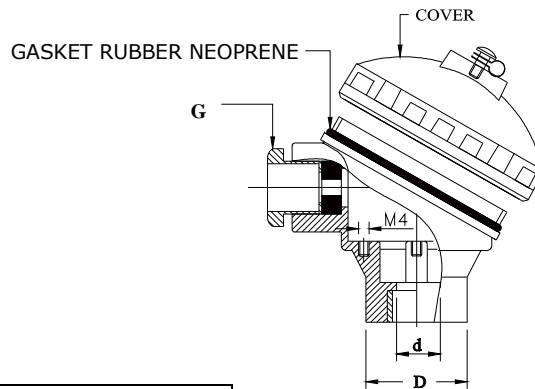
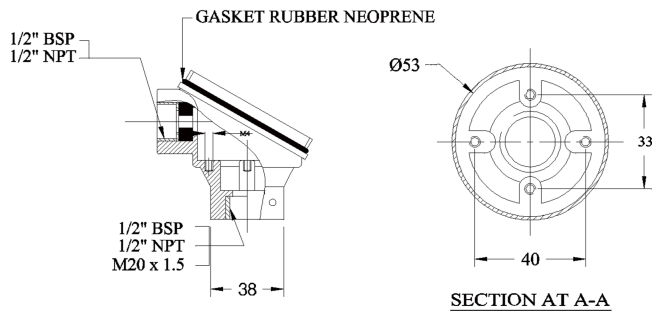
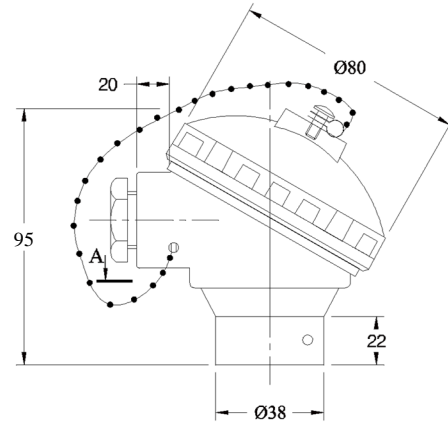


DATA SHEET
CONNECTION HEAD
TYPE : "C"

TECHNICAL SPECIFICATIONS :

- 1) AMBIENT TEMPERATURE : UP TO 110°C
- 2) AMBIENT HUMIDITY : UP TO 95%
- 3) BODY & COVER : DIE CAST ALUMINIUM
- 4) COLOUR : SILVER SHINING COLOUR
(OTHER COLOURS ON SPECIAL REQUEST)
- 5) COVER SCREW & GLAND :
BRASS,NICKLE - PLATED
- 6) GASKET : OIL RESISTANT RUBBER



ORDERING INFORMATION :

TH TYPE	D	d	G	ORDERING CODE
TH "C" TYPE	1/2" BSP	20	1/2" NPT(M)	THC - 00

* (OTHER VERSIONS POSSIBLE ON REQUEST)

Temperature Sensor Technology