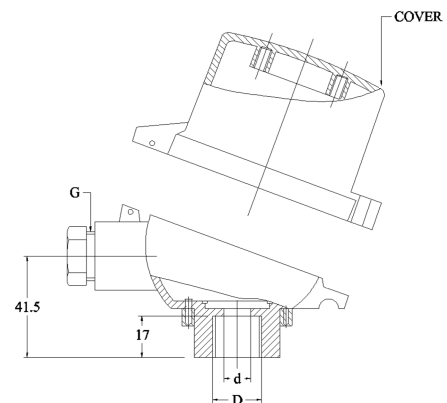
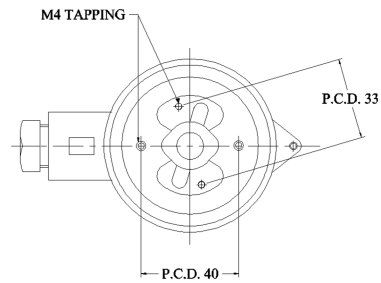
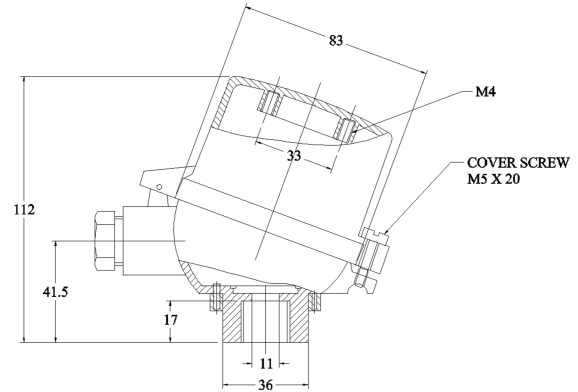


**DATA SHEET**  
**CONNECTION HEAD**  
**TYPE : DAN-W**

**TECHNICAL SPECIFICATIONS :**

- 1.) AMBIENT TEMPERATURE : UP TO 110 °C
- 2.) AMBIENT HUMIDITY : UP TO 95%
- 3.) BODY & COVER : DIE CAST ALUMINIUM
- 4.) COLOUR : SILVER SHINING COLOUR  
(OTHER COLOURS ON SPECIAL REQUEST)
- 5.) COVER SCREW & GLAND : BRASS, NICKLE - PLATED
- 6.) GASKET : OIL RESISTANT RUBBER (NEOPRENE)



**ORDERING INFORMATION :**

TH TYPE	D	d	G	ORDERING CODE
TH "DAN-W"- TYPE	M24 X 1.5	11	M20 X 1.5	TH DAN -W - 00
	M20 X 1.5	11	M20 X 1.5	TH DAN -W - 01
	½" NPT	11	½" NPT	TH DAN -W - 02

\* (OTHER VERSIONS POSSIBLE ON REQUEST)

**Temperature Sensor Technology**