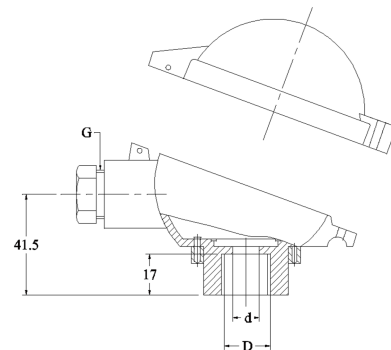
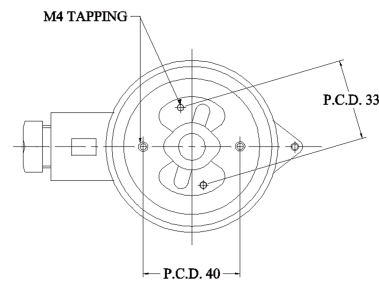
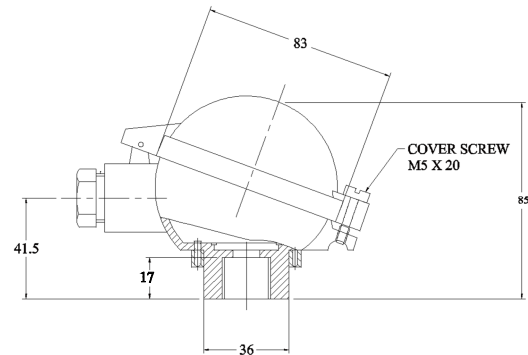


DATA SHEET
CONNECTION HEAD
TYPE : DAN

TECHNICAL SPECIFICATIONS :

- 1.) AMBIENT TEMPERATURE : UP TO 110 °C
- 2.) AMBIENT HUMIDITY : UP TO 95%
- 3.) BODY & COVER : DIE CAST ALUMINIUM
- 4.) COLOUR : SILVER SHINING COLOUR
(OTHER COLOURS ON SPECIAL REQUEST)
- 5.) COVER SCREW & GLAND : BRASS, NICKLE - PLATED
- 6.) GASKET : OIL RESISTANT RUBBER (NEOPRENE)



ORDERING INFORMATION :

TH TYPE	D	d	G	ORDERING CODE
TH "DAN"	M24 X 1.5	11	M20 X 1.5	TH DAN - 00
TYPE	M20 X 1.5	11	M20 X 1.5	TH DAN - 01

* (OTHER VERSIONS POSSIBLE ON REQUEST)

Temperature Sensor Technology