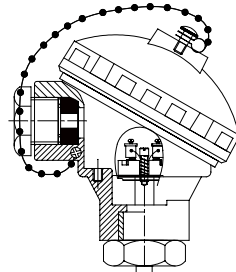
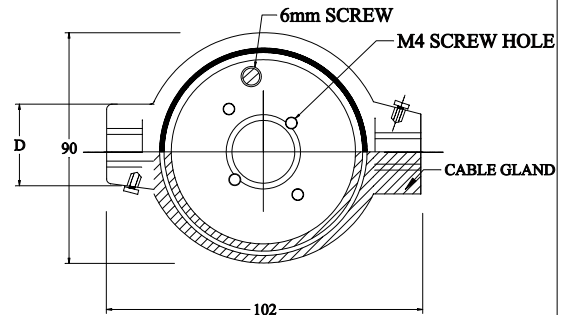
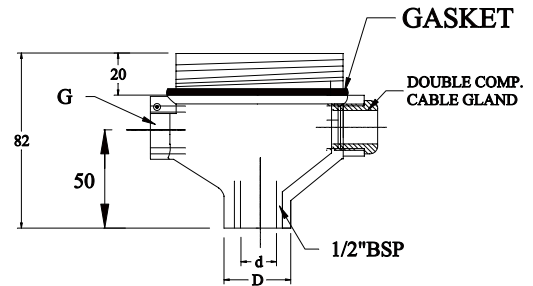
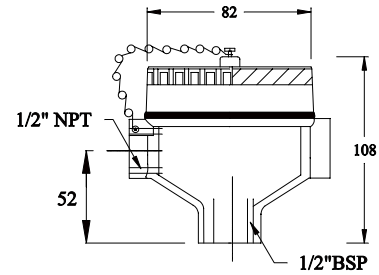


## DATA SHEET CONNECTION HEAD TYPE : EX. PROOF IIA/IIB



### TECHNICAL SPECIFICATIONS :

- 1.) AMBIENT TEMPERATURE : UP TO 110 °C
- 2.) AMBIENT HUMIDITY : UP TO 95%
- 3.) BODY & COVER : DIE CAST ALUMINIUM
- 4.) COLOUR : SILVER SHINING COLOUR  
(OTHER COLOURS ON SPECIAL REQUEST)
- 5.) COVER SCREW & GLAND : BRASS, NICKLE - PLATED
- 6.) GASKET : OIL RESISTANT RUBBER (NEOPRENE)



### ORDERING INFORMATION :

TH TYPE	D	d	G
TH "EX.IIA/IIB" TYPE	Ø32	Ø20	1/2"NPT(F)

\* (OTHER VERSIONS POSSIBLE ON REQUEST)

### SPECIAL REMARK :

DRG. No. "IIA/IIB" TYPE

REVISION	DATE
REV-1	
REV-2	
REV-3	

## Temperature Sensor Technology