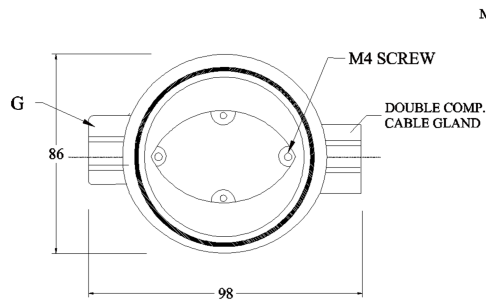
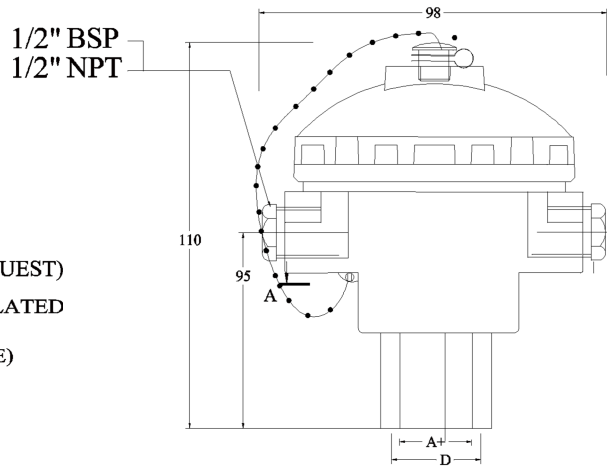


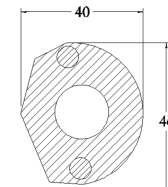
DATA SHEET CONNECTION HEAD TYPE : "D"

TECHNICAL SPECIFICATIONS :

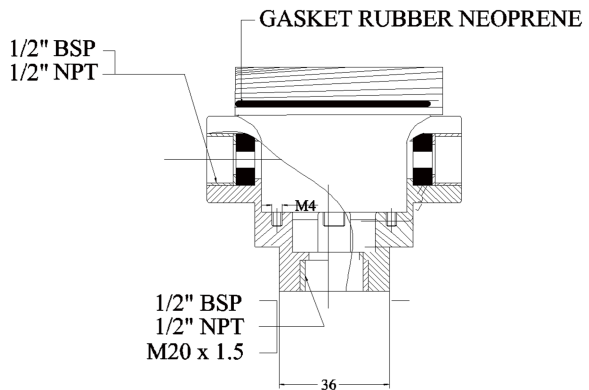
- 1.) AMBIENT TEMPERATURE : UP TO 110 °C
- 2.) AMBIENT HUMIDITY : UP TO 95%
- 3.) BODY & COVER : DIE CAST ALUMINIUM
- 4.) COLOUR : SILVER SHINING COLOUR
(OTHER COLOURS ON SPECIAL REQUEST)
- 5.) COVER SCREW & GLAND : BRASS, NICKLE - PLATED
- 6.) GASKET : OIL RESISTANT RUBBER (NEOPRENE)



M4 x 9



SECTION AT A-A



ORDERING INFORMATION :

| TH TYPE | D | d | G |
|-----------|-----|-----|------------|
| TH D TYPE | Ø36 | Ø20 | 1/2 NPT(F) |

* (OTHER VERSIONS POSSIBLE ON REQUEST)

Temperature Sensor Technology